

THR, THL, TXR & TXL

Heat Trace/Freeze Protection Thermostats

- THL & TXL Direct Mount for Freeze Protection (Ambient)
- THR & TXR Remote Mount for Heat Trace (Bulb & Capillary)
- 22 Amp Resistive Switch
- Single and Dual Output Models
- $\pm 1\%$ Setpoint Repeatability
- Fast Response for Protection of Valves and Piping
- NEMA 4X, 7 and 9 Enclosures

Applications

- THR NEMA 4X Line or Pipe Sensing
- THL NEMA 4X Ambient Air Sensing
- TXR NEMA 7 Line or Pipe Sensing
- TXL NEMA 7 Ambient Air Sensing

WARNING: Hazard of Fire. These devices function as temperature controls only. Because they do not fail-safe, an approved temperature and/or pressure safety control must be used for safe operation.

*THR & THL
NEMA 4X*



*TXR & TXL
NEMA 7*



Description

Maintaining proper viscosity and flow is critical in heat trace or freeze protection applications. The THR remote mount thermostats utilize a stainless steel bulb and capillary design to accurately sense temperature at key points along a pipe. The THL direct mount thermostats feature liquid-filled thermal as-

semblies and sense air temperatures from 15 to 140°F. Both models are epoxy coated to seal from moisture and contaminants in compliance with NEMA 4X requirements. NEMA 7 stats TXR and TXL are designed for Class I, Division I and 2, Groups B, C, D, and Class 2, Division I and 2, Group E, F, G.

Specifications

Ambient Temperature Limits	-40° to +160°F (THR, TXR); -58°F to +160°F (THL & TXL) (-40 to +71°C); set point typically shifts
Switch Output	One SPDT (All types); two SPDT
Electrical Rating	22 Amps 125/250/480 Vac resistive
Weight	Types THR, THL: 1.9 lbs., 30.4 oz (.9 kg) Types TXR & TXL: 3.8 lbs., 60.8 oz (1.7 kg.)
Electrical Connection	All Models, 3 Pole Terminal Block
Temperature Assembly	Types THL & TXL: 10 ft. stainless steel bulb & capillary (All Models) Types THL & TXL: 8" x 5/16" Stainless Steel Probe
Fill	Non-toxic oil filled
Temperature Deadband	Typically 2% of range
Bulb Dimensions (TXR & TXL)	Length 8", OD 5/16"
(THL & TXL)	Length 8", OD 5/16"

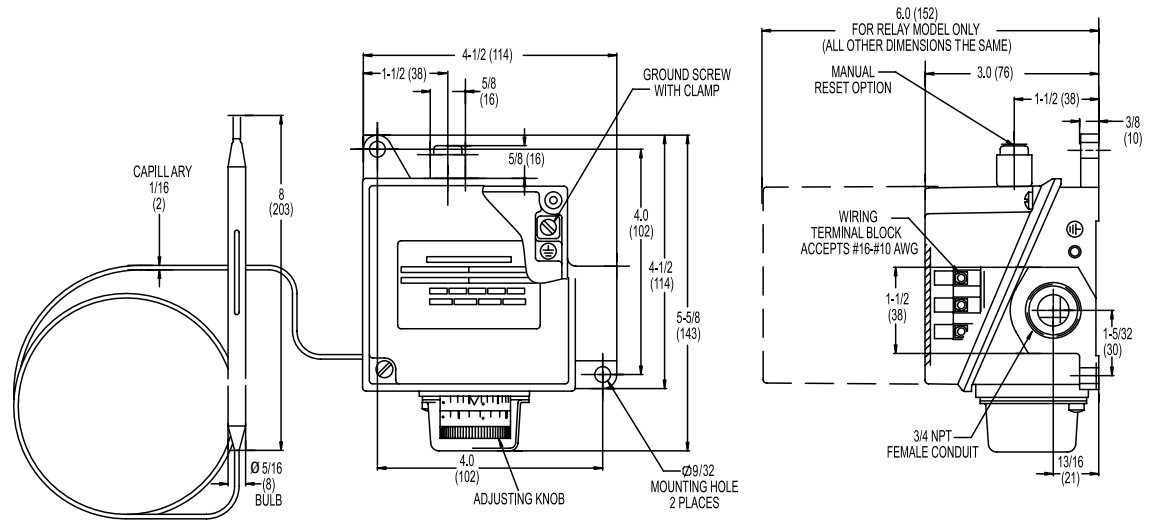
Heating Cable

THR, THL, TXR & TXL

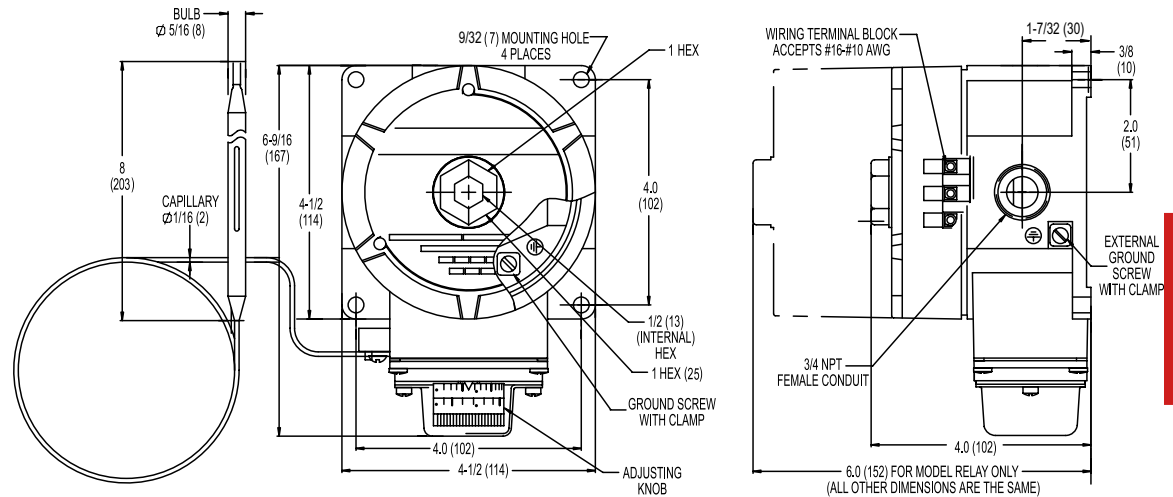
Heat Trace/Freeze Protection Thermostats (*cont'd.*)

Dimensions (In.)

THR & THL Series Thermostats



TXR & TXL Series Thermostats



Ordering Information

Thermostat Type	Model	Switch Output	Enclosure NEMA	Stock Status	PCN
Heat Trace, Remote Bulb and Capillary 25 - 325 °F (-5 to +163°C)	THR	Single Output	4X	S	387030
	TXR	Single Output	4X, 7, 9	S	387049
Freeze Protection Direct Mount 15 - 140 °F (-10 to +60°C)	THL	Single Output	4X	S	387014
	TXL	Single Output	4X, 7, 9	S	387022