

1/2" Heavy Duty Hydraulic Regulator

Series 20313

Features

- ▶ Original Shear-Seal® technology
- ▶ Self adjusting
- ▶ High flow capacity
- ▶ Tolerates contaminated media
- ▶ Fail-safe motor control options

Applications

- ▶ BOP Control Units
- ▶ Coiled tube reels
- ▶ Oil and gas systems
- ▶ Pressure sensitive applications



General Specifications*

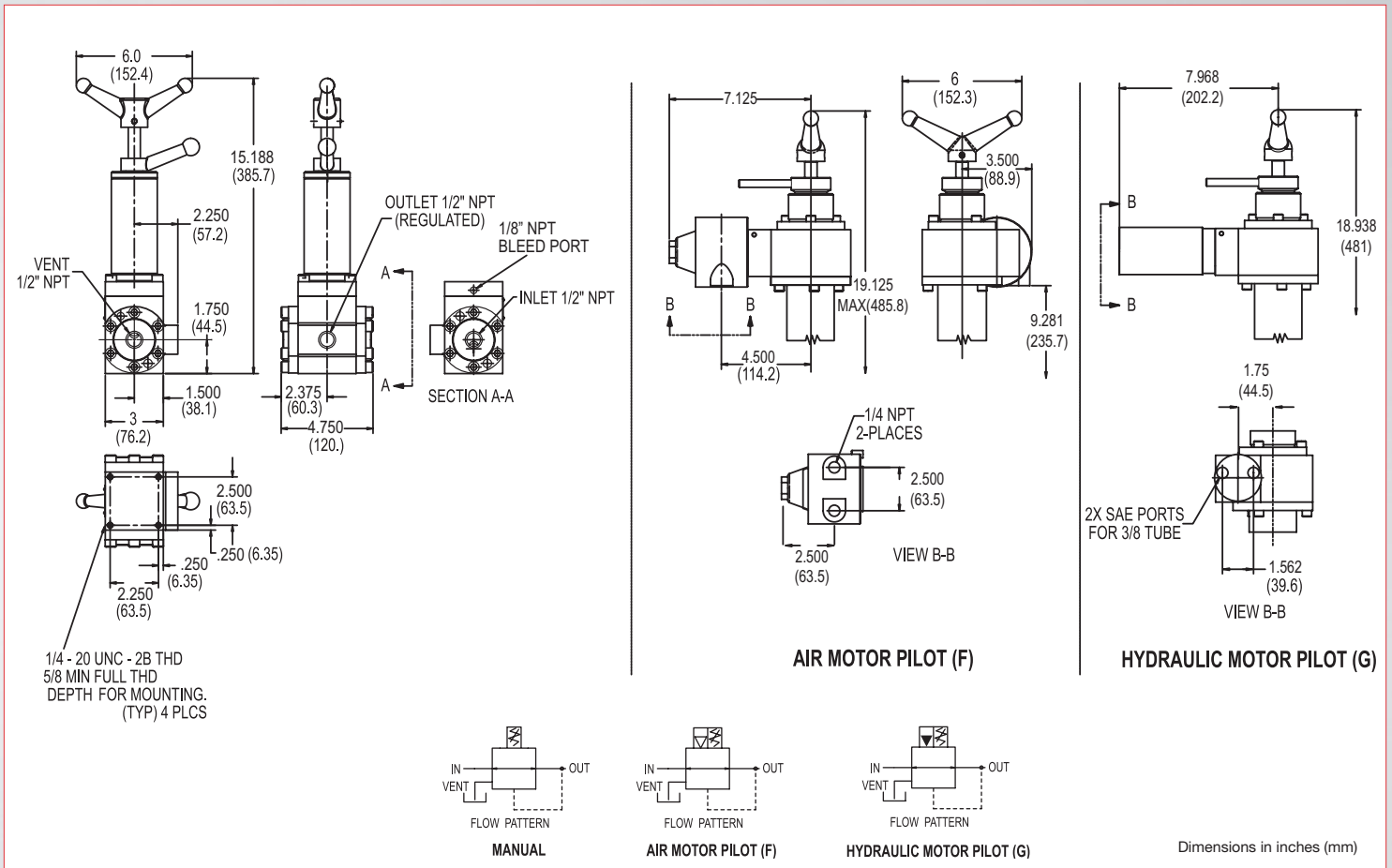
Pressure: Supply/Inlet Pressure: 5,000 psi (345 bar) Regulated Pressure Range: High Sensitivity 300 - 1600 psi (21 -110 bar) Full Range 300 - 3000 psi (21 - 207 bar) Media: Hydraulic oil or lubricated water Fluid Temperature Range: -30° to +250°F (-40° to +121° C) Proof Pressure: 7,500 psi (517 bar)	Materials of Construction: Body: Stainless steel (standard) Flanges: Stainless steel (standard) Spring Tower Housing: Manual Phosphate coated alloy steel (std.) Pneumatic Motor model Phosphate coated alloy steel (std.) Hydraulic Motor model Phosphate coated alloy steel (std.) Standard O'ring Material: Buna N Socket Head Screws: Stainless steel (standard) Wetted Parts: Stainless steel
Flow: Flow Rate: 45 GPM (@ 50/ft/s) Cv Inlet: 6.7 Cv Vent: 6.7	Pneumatic Pilot Motor ("F" prefix): Pilot Motor Working Pressure: 60 - 100 psi (4.1 - 6.9 bar) Porting A & B: 1/4" NPT Operating Temperature Range: 32° to +250°F (0° to +120°C)
Porting: Inlet: 1/2" NPT Standard, SAE Option Outlet: 1/2" NPT Standard, SAE Option Vent: 1/2" NPT Standard, SAE Option Bleed Port: 1/4" Dia. hole	Hydraulic Pilot Motor ("G" prefix): Pilot Motor Working Pressure: 400 - 1600 PSI (6.9 - 110 bar) Porting A & B: SAE for 3/8" Tube (Size -6) Operating Temperature Range: -40° to +250°F (-40° to +121°C)
	Approximate Shipping Weight: Manual: 21 lbs. (9.5 kg) Pneumatic or Hydraulic Motor: 44 lbs. (20.0 kg)

* See product configurator for additional options.

1/2" Heavy Duty Hydraulic Regulator

Series 20313

Technical Drawings



Product Configurator

Example: 20313S6WQ2

Option

Blank	NPT porting
-MS	SAE porting

Adjustment Method

Blank	Manual
F	Pneumatic failsafe motor
G	Hydraulic failsafe motor

Regulated Pressure Range

Blank	High sensitivity	300 - 1600 psi (21 - 110 bar)
-1	Full range	300 - 3000 psi (21 - 207 bar)

Series

20313S6WQ2	1/2" Shear-Seal® Regulator
------------	----------------------------

