

Valves

1" Increased Sensitivity Pressure Regulator

Series 20495

Features

- ▶ Original Shear-Seal® technology
- ▶ Ultra flow regulator
- ▶ Fail-safe motor control options
- ▶ Tolerates contaminated media
- ▶ Self venting
- ▶ Surge dampening

Applications

- ▶ Coiled tube reels
- ▶ Land-based and offshore oil drilling controls
- ▶ Wireline service tractors
- ▶ Pressure sensitive applications



General Specifications*

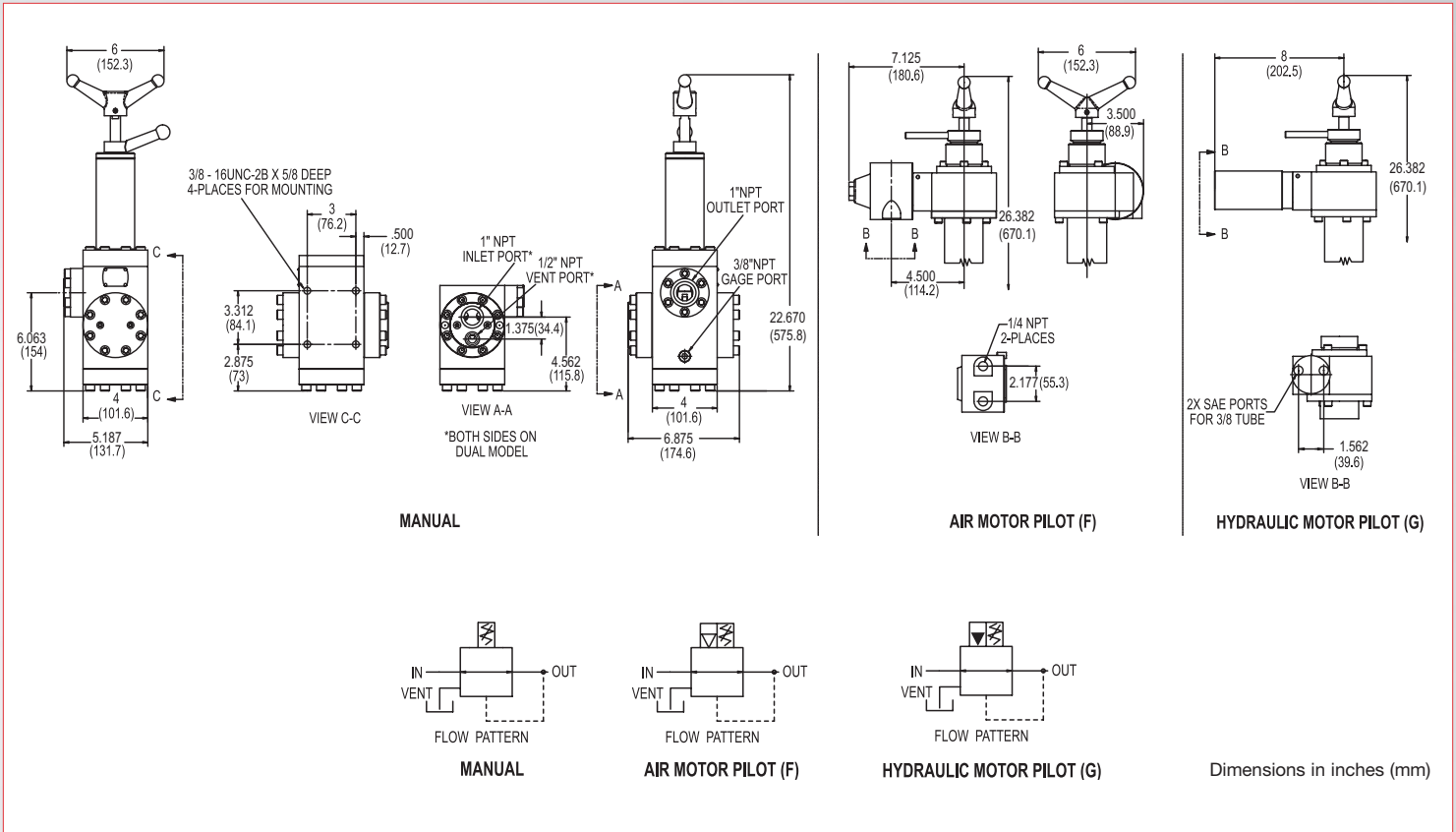
Pressure: Supply/Inlet Pressure: 3,000 psi (207 bar) 5,000 psi (345 bar) Regulated Pressure Range at 3,000 psi Supply Pressure: High Sensitivity: 300 - 1600 psi (20.7 - 110 bar) Full Range: 300 - 2800 psi (20.7 - 193 bar) Regulated Pressure Range at 5,000 psi Supply Pressure: High Sensitivity: 500 - 1800 psi (34 - 124 bar) Full Range: 500 - 3300 psi (34 - 228 bar) Media: Hydraulic oil or lubricated water Fluid Temperature Range: -30° to +250°F (-34° to +121°C) Proof Pressure: 7,500 psi (517 bar)	Materials of Construction: Body: Stainless steel (standard) Flanges: Phosphate coated alloy steel (std.) Option: Stainless steel Spring Tower: Manual: Stainless steel (std.) Pneumatic Motor model: Phosphate coated alloy steel (std.) Hydraulic Motor model: Phosphate coated alloy steel (std.) Standard O'ring Material: Buna N Socket Head Screws: Stainless steel (std.) Wetted Parts: Stainless steel
Flow: Flow Rate: 70 GPM (@ 50 ft/s) Cv Inlet: 9.8 Cv Vent: 0.6	Pneumatic Pilot Motor ("F" prefix): Pilot Motor Working Pressure: 60 - 100 psi (4.1 - 6.9 bar) Porting A & B: 1/4" NPT Operating Temperature Range: 32° to +250°F (0° to +120°C)
Porting: Inlet 1: 1" NPT Standard, SAE Optional Outlet (regulated): 1" NPT Standard, SAE Optional Vent: 1/2" NPT Standard, SAE Optional Gauge Port: 3/8" NPT Standard, SAE Optional	Hydraulic Pilot Motor ("G" prefix): Pilot Motor Working Pressure: 400 - 1600 psi (6.9 - 110 bar) Porting A & B: SAE for 3/8" Tube (Size -6) Operating Temperature Rating: -40° to +250°F (-40° to +121°C)
	Approximate Shipping Weight: Manual: 47 lbs. (21.3 kg) Pneumatic or Hydraulic Motor: 70 lbs. (31.8 kg)

* See product configurator for additional options.

1" Increased Sensitivity Pressure Regulator

Series 20495

Technical Drawings



Product Configurator

Example:

Adjustment Method

Blank	Manual
F	Pneumatic failsafe motor
G	Hydraulic failsafe motor

Series

20495S6WQ2	1" Pressure regulator (3/4" full flow regulator)
------------	---

Option

Blank	NPT porting
-MS	SAE porting
-SS	Stainless steel flanges & trim
-L ¹	Reversed porting
-BP	Bypass Function

Regulated Pressure Range

		Inlet Pressure	Regulated Range
Blank	High sensitivity	3000 psi	300 - 1600 psi (20.7 - 110 bar)
		5000 psi	500 - 1800 psi (34 - 124 bar)
-1	Full range	3000 psi	300 - 2800 psi (20.7 - 193 bar)
		5000 psi	500 - 3300 psi (34 - 228 bar)



Note:

- Supply/Vent ports installed on right side of regulated port.
Blank flange installed on left side of regulated port.

Barksdale
CONTROL PRODUCTS